

نموذج اختبار شهر
الفصل الدراسي الثاني
2021-2020



الصف الثاني الثانوي
اللغة الأجنبية الثانية: الفرنسية

نموذج اختبار

الصف الثاني الثانوى- الشعبة العلمية

اليوم الثالث

عدد الأسئلة	المادة
10	اللغة الأجنبية الثانية
10	الفيزياء
20	العدد الكلى للأسئلة

Subject: Français 2ème langue
Grade: 11

Lis le document suivant, puis réponds aux questions

Je m'appelle Salma. J'ai 17 ans. Mon lycée organise une grande fête à l'occasion de la fête des mères le 21 mars. Je demande à ma mère d'aller faire les boutiques. Nous arrivons au magasin de vêtements à 18 heures, ma sœur Hana choisit une belle robe rouge. Moi, j'adore le vert, j'achète un blouson vert et un jean. Ma mère choisit une jupe noire et une veste blanche. Ma sœur va au magasin d'accessoires pour acheter deux boucles d'oreilles et nous rentrons à la maison à 22 heures du soir.

Choisis la bonne réponse

Q 1 La mère et les deux filles sont

<input type="checkbox"/>	<input type="checkbox"/>	A)	au magasin de vêtements.
<input type="checkbox"/>	<input type="checkbox"/>	B)	au lycée
<input type="checkbox"/>	<input type="checkbox"/>	C)	au magasin d'accessoires.
<input type="checkbox"/>	<input type="checkbox"/>	D)	à la maison.

Q 2 Hana achète.....

<input type="checkbox"/>	<input type="checkbox"/>	A)	un blouson
<input type="checkbox"/>	<input type="checkbox"/>	B)	une robe
<input type="checkbox"/>	<input type="checkbox"/>	C)	un jean
<input type="checkbox"/>	<input type="checkbox"/>	D)	une jupe

Q 3 Salma aans

<input type="checkbox"/>	<input type="checkbox"/>	A)	vingt et un
<input type="checkbox"/>	<input type="checkbox"/>	B)	dix- huit
<input type="checkbox"/>	<input type="checkbox"/>	C)	vingt-deux
<input type="checkbox"/>	<input type="checkbox"/>	D)	dix-sept

Q 4 La fête des mères est.....

<input type="checkbox"/>	<input type="checkbox"/>	A)	en été.
<input type="checkbox"/>	<input type="checkbox"/>	B)	en hiver.
<input type="checkbox"/>	<input type="checkbox"/>	C)	au printemps.
<input type="checkbox"/>	<input type="checkbox"/>	D)	en automne.

Choisis la bonne réponse

Q 5 Tu demandes à ta copine son opinion sur ta tenue . Qu'est-ce que tu dis?

- | | | |
|--------------------------|-----------|--------------------------------|
| <input type="checkbox"/> | A) | Comment s'appelle ta copine? |
| <input type="checkbox"/> | B) | Comment tu trouves cette robe? |
| <input type="checkbox"/> | C) | Comment est ta copine? |
| <input type="checkbox"/> | D) | Comment tu t'appelles? |

Q 6 Tu décris tes vêtements pour la fête de ton anniversaire. Qu'est-ce que tu dis?

- | | | |
|--------------------------|-----------|--------------------------------------|
| <input type="checkbox"/> | A) | Je porte une robe bleue en soie. |
| <input type="checkbox"/> | B) | Cette robe coûte 200 L.E. |
| <input type="checkbox"/> | C) | Ma mère achète une robe bleue. |
| <input type="checkbox"/> | D) | Mon anniversaire est le 21 novembre. |

Q 7 J'aime porter anorak

- | | | |
|--------------------------|-----------|-------|
| <input type="checkbox"/> | A) | ces |
| <input type="checkbox"/> | B) | ce |
| <input type="checkbox"/> | C) | cette |
| <input type="checkbox"/> | D) | cet |

Q 8 Ma mère achète une beau pantalon

- | | | |
|--------------------------|-----------|---------|
| <input type="checkbox"/> | A) | verte |
| <input type="checkbox"/> | B) | orange |
| <input type="checkbox"/> | C) | bleue |
| <input type="checkbox"/> | D) | blanche |

Q 9 Ces pantalon, tu vas..... acheter?

A) le

B) la

C) les

D) l'

Q 10 Demain je vais une fête.

A) organiser

B) organise

C) organises

D) organisez

Subject: physics

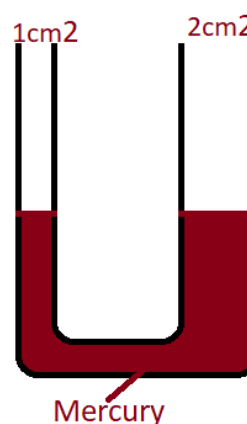
Choose the correct Answer

Q 1. If tangential force of 20N acts on the upper surface of a cube with side length 10 cm, then the resulted pressure equals....

A)	$2 \times 10^4 \text{ N/m}^2$
B)	$2 \times 10^5 \text{ N/m}^2$
C)	$2 \times 10^3 \text{ N/m}^2$
D)	zero

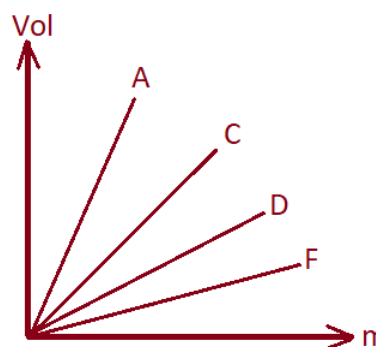
Q 2. A U-shaped tube contains mercury as in figure, when 100 g of water is poured into the narrow branch, then the height of mercury in the wide branch above the separating surface equals.....

($\rho_w = 1000 \text{ kg/m}^3$, $\rho_{Hg} = 13600 \text{ Kg/m}^3$)



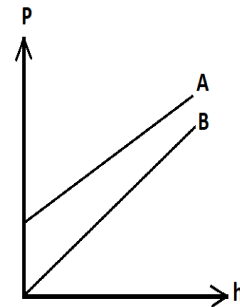
A)	0.05m
B)	0.075m
C)	1.05m
D)	1m

Q 3. The opposite figure represents the relation between the volume of a urine samples and their masses for 4 persons A,B,C,F. then the person of high salts concentration in his urine is.....



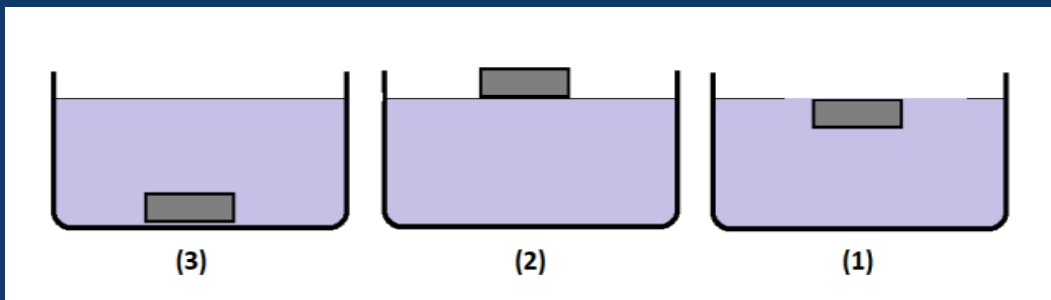
A)	C
B)	A
C)	F
D)	D

Q 4. The opposite graph represents the relation between the pressure at point inside two different liquids A , B and the depth, so which one of the following choices is correct?



- | | |
|----|--|
| A) | $\rho_A > \rho_B$, and (A) is exposed to air |
| B) | $\rho_A > \rho_B$, and (A) isn't exposed to air |
| C) | $\rho_A < \rho_B$, and (A) is exposed to air |
| D) | $\rho_A < \rho_B$, and (A) isn't exposed to air |

Q 5.

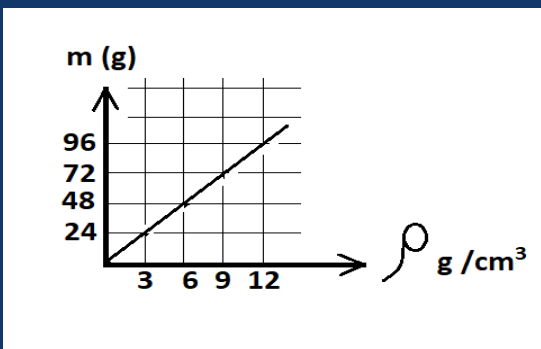


The opposite figures represent three identical cubes made of copper are found inside three different liquids, when measuring the density of each liquid it's found that:-

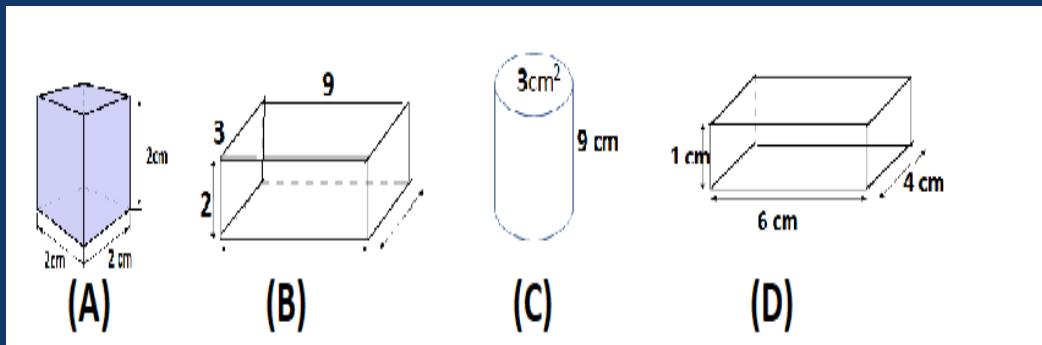
- | | |
|----|----------------------------|
| A) | $\rho_3 > \rho_1 > \rho_2$ |
| B) | $\rho_2 > \rho_3 > \rho_1$ |
| C) | $\rho_2 > \rho_1 > \rho_3$ |
| D) | $\rho_3 > \rho_2 > \rho_1$ |

Q 6.

The graph represents the relation between the mass and the density of different substances, if they have the same volume,



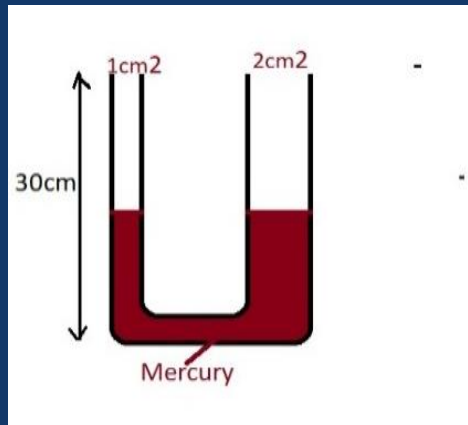
then the figure that represents one of these substances is....



	A)	A
	B)	B
	C)	C
	D)	D

Q 7.

The figure represents a U-shaped tube filled with water until it reaches $\frac{2}{3}$ of the tube height, if a liquid of density 800 kg/m^3 is poured in the narrow branch till it reaches edge of the tube, then the liquid height above the separating surface equals.....

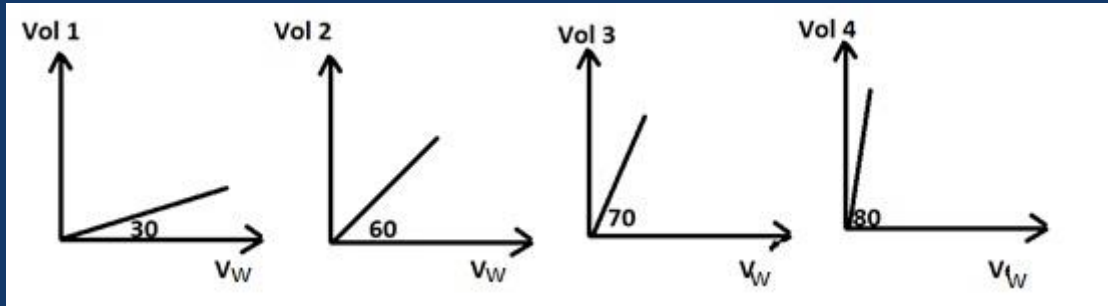


	A)	17.14 cm
	B)	21.43 cm
	C)	11.43 cm
	D)	14.2 cm

Q 8. Two different objects A , B are placed at two different depths 15m , 20m respectively inside a closed container filled with water, then the ratio between the acting pressure on object B to that on object A is....

A)	$\frac{4}{3}$
B)	$\frac{3}{4}$
C)	$\frac{5}{4}$
D)	$\frac{4}{5}$

Q 9. The following graphs represent the relation between volume of water and volume of 4 different substances (knowing that masses of water and materials are the same),



then the substance which has the greatest relative density is.....

A)	1
B)	2
C)	3
D)	4

Q 10. On measuring the density of different 4 samples of blood have the same volume by using the following table, then the sample of person that suffers from anemia is.....

(density of healthy blood = 1060 kg/m^3 , the sample volume = $2.076 \times 10^{-5} \text{ m}^3$)

Sample	1	2	3	4
Mass (g)	21	22	23	24

A)	1
B)	2
C)	3
D)	4

You can use the following laws:

Density and Pressure

1) **Density:**

$$\rho = \frac{m}{V} \text{ kg/m}^3$$

2) **The relative density of a material:**

$$\rho_{\text{rel.}} = \frac{\text{density of material}}{\text{density of water}} = \frac{\text{Mass of a certain volume of a material}}{\text{Mass of the same volume of water}}$$

3) **Pressure:**

$$P = \frac{F}{A} = \frac{m g}{A} \text{ (N/m}^2 \text{ or kg/m} \cdot \text{s}^2 \text{)}$$

4) **Pressure at a point inside a liquid:**

- In closed container

$$P = \rho g h$$

- In opened container

$$P = P_a + \rho g h$$

5) **U – shaped tube:**

When the two liquids are at equilibrium

At the separating surface

$$\rho_1 h_1 = \rho_2 h_2$$

Subject: Français 2ème langue
Answers

Question No	Symbol	Answer
1.	A	Au magasin de vêtement
2.	B	Une robe
3.	D	dix-sept
4.	C	Au printemps
5.	B	Comment tu trouves cette robe?
6.	A	Je porte une robe bleue en soie.
7.	D	cet
8.	B	orange
9.	C	les
10.	A	organiser

Subject: PHYSICS
Answers

Question No	Symbol	Answer
1.	D	Zero
2.	B	0.075
3.	C	F
4.	C	$\rho_A < \rho_B$, and (A) is exposed to air
5.	C	$\rho_2 > \rho_1 > \rho_3$
6.	A	CUBE OF 2 CM
7.	B	21.43 cm
8.	A	4 3
9.	A	30°
10.	A	Vol 1