

نموذج اختبار شهر
الفصل الدراسي الثاني
2021-2020



الصف الثاني الثانوي
اللغة الأجنبية الثانية: الانجليزية

نموذج اختبار

الصف الثاني الثانوى- الشعبة العلمية

اليوم الثالث

عدد الأسئلة	المادة
10	اللغة الأجنبية الثانية
10	الفيزياء
20	العدد الكلى للأسئلة

Choose the correct answer from A, B, C, or D:

Q 1. He to the club last week.

- A) go
- B) goes
- C) went
- D) going

Q 2. What they buy from the market yesterday?

- A) do
- B) does
- C) doing
- D) did

Q 3. are the seeds of a watermelon over there.

- A) Those
- B) That
- C) This
- D) These

Q 4. Howjuice do you have?

- A) many
- B) much
- C) high
- D) wide

Q 5. How is the driver?

A)	high
B)	much
C)	tall
D)	wide

Q 6. There are a students in the school.

A)	little
B)	much
C)	few
D)	many

Read the text and choose the correct answer from A, B, C, or D:

There are 2,700 languages in the world. English is one of the most important. About 450 million people speak English at home. More than half of these people live in the USA. A lot more people in other countries learn English at school. English is the most popular language on the internet. About 1,000 million people in the world speak Chinese language. That's more than any other language in the world. More than 300 million people speak Arabic in the Arab countries.

Q 7. How many languages are there in the world?

A)	450
B)	1,000
C)	2,700
D)	300

Q 8. What language do the people of the USA speak?

A)	English
B)	Spanish
C)	Chinese
D)	Arabic

Q 9. What language has the most speakers?

- | | |
|----|---------|
| A) | English |
| B) | Spanish |
| C) | Arabic |
| D) | Chinese |

Q 10. The people of Egypt speak

- | | |
|----|---------|
| A) | Italian |
| B) | French |
| C) | Arabic |
| D) | Chinese |

Subject: physics

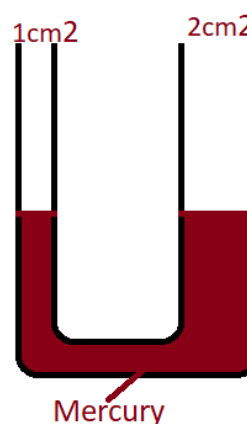
Choose the correct Answer

Q 11. If tangential force of 20N acts on the upper surface of a cube with side length 10 cm, then the resulted pressure equals....

A)	$2 \times 10^4 \text{ N/m}^2$
B)	$2 \times 10^5 \text{ N/m}^2$
C)	$2 \times 10^3 \text{ N/m}^2$
D)	zero

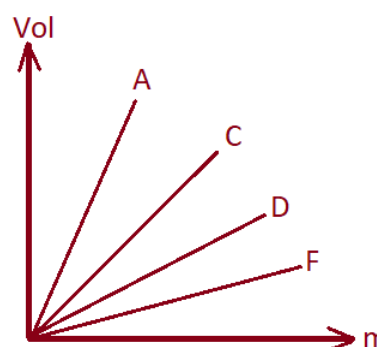
Q 12. A U-shaped tube contains mercury as in figure, when 100 g of water is poured into the narrow branch, then the height of mercury in the wide branch above the separating surface equals.....

$(\rho_w = 1000 \text{ kg/m}^3, \rho_{Hg} = 13600 \text{ Kg/m}^3)$



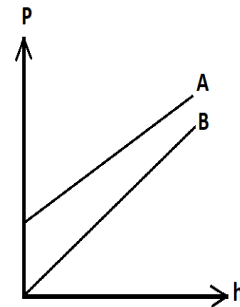
A)	0.05m
B)	0.075m
C)	1.05m
D)	1m

Q 13. The opposite figure represents the relation between the volume of a urine samples and their masses for 4 persons A,B,C,F. then the person of high salts concentration in his urine is.....



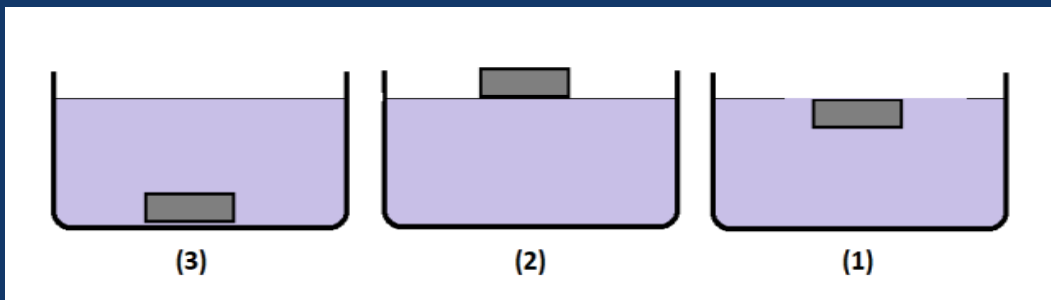
A)	C
B)	A
C)	F
D)	D

Q 14. The opposite graph represents the relation between the pressure at point inside two different liquids A , B and the depth, so which one of the following choices is correct?



- | | |
|----|--|
| A) | $\rho_A > \rho_B$, and (A) is exposed to air |
| B) | $\rho_A > \rho_B$, and (A) isn't exposed to air |
| C) | $\rho_A < \rho_B$, and (A) is exposed to air |
| D) | $\rho_A < \rho_B$, and (A) isn't exposed to air |

Q 15.

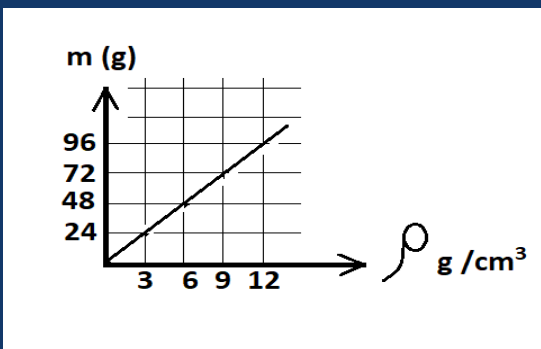


The opposite figures represent three identical cubes made of copper are found inside three different liquids, when measuring the density of each liquid it's found that:-

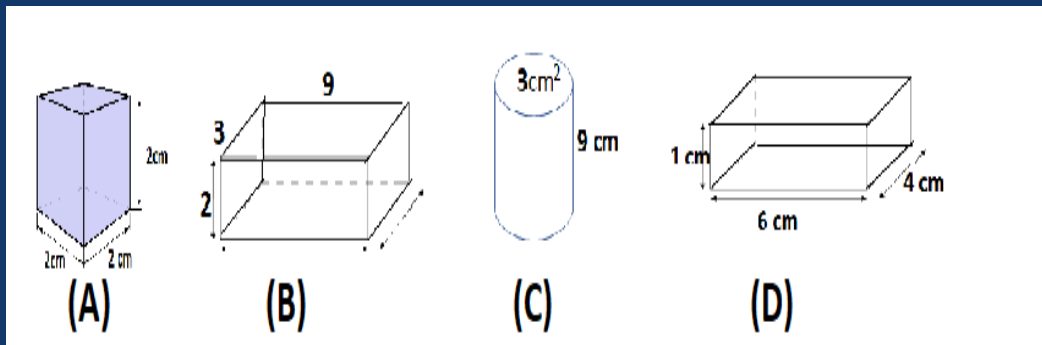
- | | |
|----|----------------------------|
| A) | $\rho_3 > \rho_1 > \rho_2$ |
| B) | $\rho_2 > \rho_3 > \rho_1$ |
| C) | $\rho_2 > \rho_1 > \rho_3$ |
| D) | $\rho_3 > \rho_2 > \rho_1$ |

Q 16.

The graph represents the relation between the mass and the density of different substances, if they have the same volume,



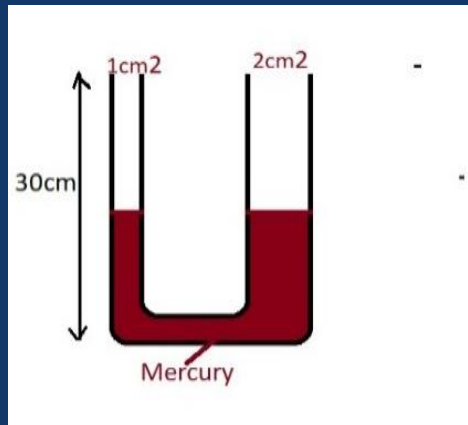
then the figure that represents one of these substances is....



	A)	A
	B)	B
	C)	C
	D)	D

Q 17.

The figure represents a U-shaped tube filled with water until it reaches $\frac{2}{3}$ of the tube height, if a liquid of density 800 kg/m^3 is poured in the narrow branch till it reaches edge of the tube, then the liquid height above the separating surface equals.....

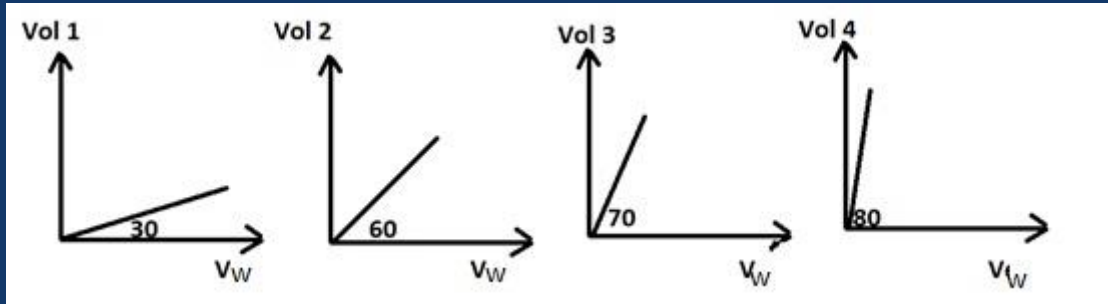


	A)	17.14 cm
	B)	21.43 cm
	C)	11.43 cm
	D)	14.2 cm

Q 18. Two different objects A , B are placed at two different depths 15m , 20m respectively inside a closed container filled with water, then the ratio between the acting pressure on object B to that on object A is....

A)	$\frac{4}{3}$
B)	$\frac{3}{4}$
C)	$\frac{5}{4}$
D)	$\frac{4}{5}$

Q 19. The following graphs represent the relation between volume of water and volume of 4 different substances (knowing that masses of water and materials are the same),



then the substance which has the greatest relative density is.....

A)	1
B)	2
C)	3
D)	4

Q 20. On measuring the density of different 4 samples of blood have the same volume by using the following table, then the sample of person that suffers from anemia is.....

(density of healthy blood = 1060 kg/m^3 , the sample volume = $2.076 \times 10^{-5} \text{ m}^3$)

Sample	1	2	3	4
Mass (g)	21	22	23	24

A)	1
B)	2
C)	3
D)	4

You can use the following laws:

Density and Pressure

1) **Density:**

$$\rho = \frac{m}{V} \text{ kg/m}^3$$

2) **The relative density of a material:**

$$\rho_{\text{rel.}} = \frac{\text{density of material}}{\text{density of water}} = \frac{\text{Mass of a certain volume of a material}}{\text{Mass of the same volume of water}}$$

3) **Pressure:**

$$P = \frac{F}{A} = \frac{m g}{A} \text{ (N/m}^2 \text{ or kg/m} \cdot \text{s}^2 \text{)}$$

4) **Pressure at a point inside a liquid:**

- In closed container

$$P = \rho g h$$

- In opened container

$$P = P_a + \rho g h$$

5) **U – shaped tube:**

When the two liquids are at equilibrium

At the separating surface

$$\rho_1 h_1 = \rho_2 h_2$$

Subject: English (Second Language) Answers

Question No	Symbol	Answer
1.	A	went
2.	D	did
3.	A	Those
4.	B	much
5.	C	tall
6.	C	few
7.	C	2,700
8.	A	English
9.	D	Chinese
10.	C	Arabic

Subject: PHYSICS Answers

Question No	Symbol	Answer
11.	D	Zero
12.	B	0.075
13.	C	F
14.	C	$\rho_A < \rho_B$, and (A) is exposed to air
15.	C	$\rho_2 > \rho_1 > \rho_3$
16.	A	CUBE OF 2 CM
17.	B	21.43 cm
18.	A	4 3
19.	A	30°
20.	A	Vol 1