

نموذج اختبار شهر
الفصل الدراسي الثاني
2021-2020



الصف الثاني الثانوى
اللغة الأجنبية الثانية: الايطالية

نموذج اختبار

الصف الثاني الثانوى- الشعبة العلمية

اليوم الثالث

| عدد الأسئلة | المادة |
|-------------|------------------------|
| 10 | اللغة الأجنبية الثانية |
| 10 | الفيزياء |
| 20 | العدد الكلى للأسئلة |

Leggi l'e-mail seguente:

Ciao Stefano,

Ieri ho letto il blog di Giulia. Senza fare il mio nome, ha detto a tutti che io non sono andato alla sua festa di compleanno. Ho saputo che voi avete passato bel tempo; prima della torta e i dolci avete mangiato alcuni piatti regionali, hamburger e patatine fritte che lei ha preparato in collaborazione con i suoi genitori. Purtroppo, ho chiesto a mio padre di venire alla festa ma lui ha risposto di no. Comunque a Giulia ho comprato un regalo, il nuovo profumo di Miss Pink. Che dici, Stefano, è una bella idea?

Rafaello

Scegli la risposta corretta:

Q 1. Nell'e-mail Rafaello parla

- | | |
|--------------------------|-----------------------------------------|
| <input type="checkbox"/> | A) della festa di compleanno di Giulia |
| <input type="checkbox"/> | B) dei suoi piatti preferiti |
| <input type="checkbox"/> | C) dei suoi genitori |
| <input type="checkbox"/> | D) della festa di compleanno di Stefano |

Q 2. Chi ha preparato i piatti regionali?

- | | |
|--------------------------|-------------------------------|
| <input type="checkbox"/> | A) Rafaello e i suoi genitori |
| <input type="checkbox"/> | B) Giulia e i suoi genitori |
| <input type="checkbox"/> | C) Solo Giulia |
| <input type="checkbox"/> | D) Giulia e tutti gli amici |

Q 3. Quanti regali ha comprato Rafaello?

- | | |
|--------------------------|-------------------|
| <input type="checkbox"/> | A) tre regali |
| <input type="checkbox"/> | B) due regali |
| <input type="checkbox"/> | C) un solo regalo |
| <input type="checkbox"/> | D) tanti regali |

Q 4. Rafaello non è andato alla festa perché

- | | |
|--------------------------|-----------------------------------------------|
| <input type="checkbox"/> | A) suo padre ha rifiutato |
| <input type="checkbox"/> | B) suo padre ha deciso di andare con lui |
| <input type="checkbox"/> | C) i suoi genitori hanno fatto una festa ieri |
| <input type="checkbox"/> | D) non ha portato un regalo |

Scegli la risposta corretta:

| Q 5. Dico:” Oggi è il quarto aprile”, quando ... | |
|--------------------------------------------------|----------------------------------|
| A) | parlo delle stagioni dell'anno |
| B) | parlo dei giorni della settimana |
| C) | indico l'orario |
| D) | indico la data |

| Q 6. Quando parlo della famiglia, dico: | |
|-----------------------------------------|-------------------|
| A) | Ho due fratelli |
| B) | Ho due amici |
| C) | Ho due zaini |
| D) | Ho una bella casa |

Scegli la risposta corretta:

| Q 7. Maria, hai finito di pulire la camera? No, non ho finito. | |
|----------------------------------------------------------------------|--------|
| A) | già |
| B) | anche |
| C) | ancora |
| D) | appena |

| Q 8. Abbiamo comprato questa casa maggio del 2002 | |
|---------------------------------------------------------|-----|
| A) | a |
| B) | il |
| C) | in |
| D) | nel |

| Q 9. Giulia, tu e Paolo arrivare in appuntamento ieri sera? | |
|-------------------------------------------------------------------|--------------|
| A) | siete potuti |
| B) | sei potuta |
| C) | avete potuto |
| D) | siete potute |

| Q 10. Voglio invitare Maria e cugino alla festa. | |
|--------------------------------------------------------|--------|
| A) | sua |
| B) | suo |
| C) | il suo |
| D) | loro |

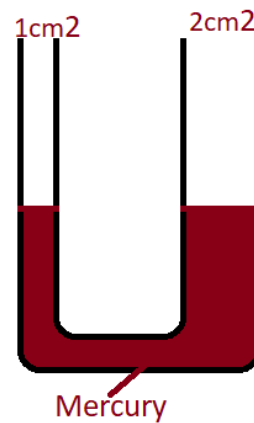
Choose the correct Answer

Q 11. If tangential force of 20N acts on the upper surface of a cube with side length 10 cm, then the resulted pressure equals....

- A) $2 \times 10^4 \text{ N/m}^2$
- B) $2 \times 10^5 \text{ N/m}^2$
- C) $2 \times 10^3 \text{ N/m}^2$
- D) zero

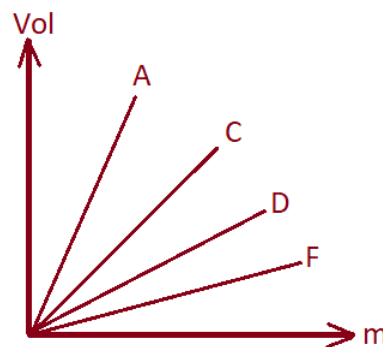
Q 12. A U-shaped tube contains mercury as in figure, when 100 g of water is poured into the narrow branch, then the height of mercury in the wide branch above the separating surface equals.....

$(\rho_w=1000\text{kg/m}^3, \rho_{\text{Hg}}=13600\text{Kg/m}^3)$



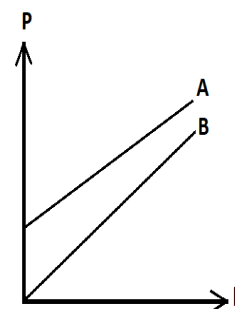
- A) 0.05m
- B) 0.075m
- C) 1.05m
- D) 1m

Q 13. The opposite figure represents the relation between the volume of a urine samples and their masses for 4 persons A,B,C,F. then the person of high salts concentration in his urine is.....



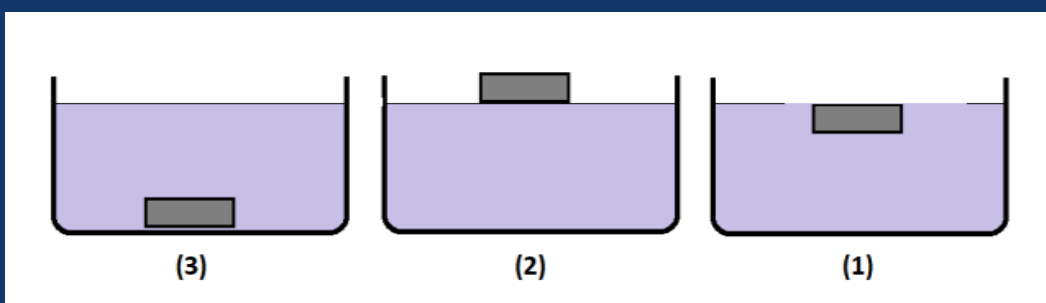
- A) C
- B) A
- C) F
- D) D

Q 14. The opposite graph represents the relation between the pressure at point inside two different liquids A , B and the depth, so which one of the following choices is correct?



- | | |
|----|--------------------------------------------------|
| A) | $\rho_A > \rho_B$, and (A) is exposed to air |
| B) | $\rho_A > \rho_B$, and (A) isn't exposed to air |
| C) | $\rho_A < \rho_B$, and (A) is exposed to air |
| D) | $\rho_A < \rho_B$, and (A) isn't exposed to air |

Q 15.

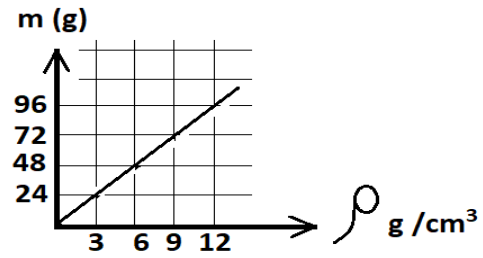


The opposite figures represent three identical cubes made of copper are found inside three different liquids, when measuring the density of each liquid it's found that:-

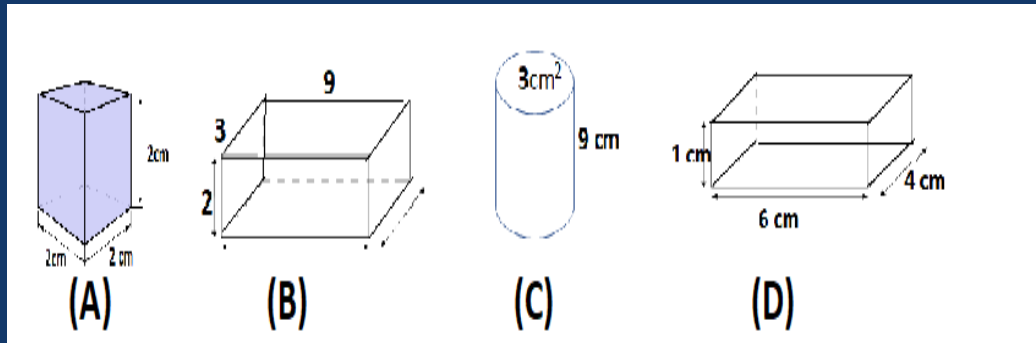
- | | |
|----|----------------------------|
| A) | $\rho_3 > \rho_1 > \rho_2$ |
| B) | $\rho_2 > \rho_3 > \rho_1$ |
| C) | $\rho_2 > \rho_1 > \rho_3$ |
| D) | $\rho_3 > \rho_2 > \rho_1$ |

Q 16.

The graph represents the relation between the mass and the density of different substances, if they have the same volume,



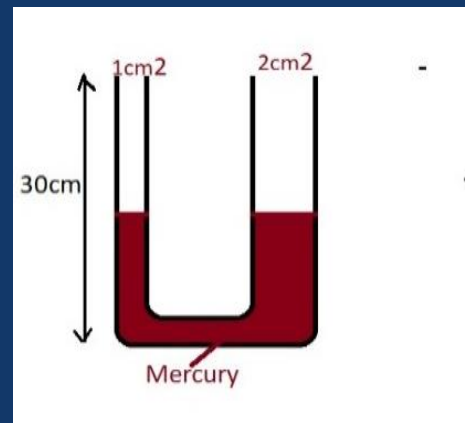
then the figure that represents one of these substances is....



- A) A
- B) B
- C) C
- D) D

Q 17.

The figure represents a U-shaped tube filled with water until it reaches $\frac{2}{3}$ of the tube height, if a liquid of density 800 kg/m^3 is poured in the narrow branch till it reaches edge of the tube, then the liquid height above the separating surface equals.....

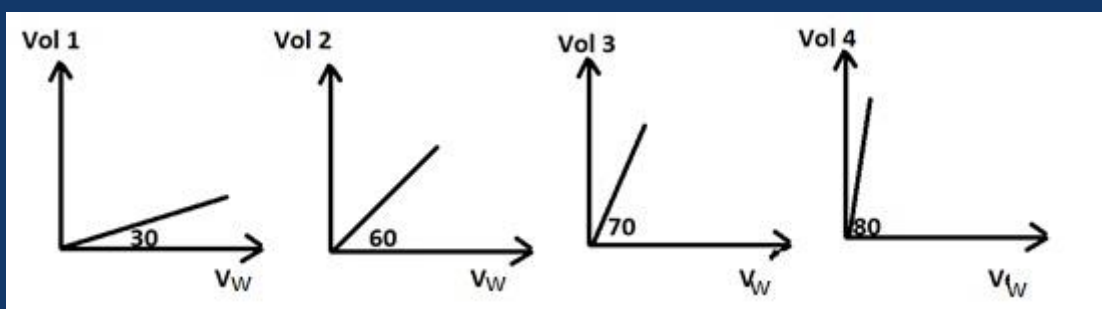


- A) 17.14 cm
- B) 21.43 cm
- C) 11.43 cm
- D) 14.2 cm

Q 18. Two different objects A , B are placed at two different depths 15m , 20m respectively inside a closed container filled with water, then the ratio between the acting pressure on object B to that on object A is....

| | |
|----|---------------|
| A) | $\frac{4}{3}$ |
| B) | $\frac{3}{4}$ |
| C) | $\frac{5}{4}$ |
| D) | $\frac{4}{5}$ |

Q 19. The following graphs represent the relation between volume of water and volume of 4 different substances (knowing that masses of water and materials are the same),



then the substance which has the greatest relative density is.....

| | |
|----|---|
| A) | 1 |
| B) | 2 |
| C) | 3 |
| D) | 4 |

Q 20. On measuring the density of different 4 samples of blood have the same volume by using the following table, then the sample of person that suffers from anemia is.....

(density of healthy blood = 1060 kg/m^3 , the sample volume = $2.076 \times 10^{-5} \text{ m}^3$)

| Sample | 1 | 2 | 3 | 4 |
|----------|----|----|----|----|
| Mass (g) | 21 | 22 | 23 | 24 |

| | |
|----|---|
| A) | 1 |
| B) | 2 |
| C) | 3 |
| D) | 4 |

You can use the following laws:

Density and Pressure

1) **Density:**

$$\rho = \frac{m}{V} \text{ kg/m}^3$$

2) **The relative density of a material:**

$$\rho_{\text{rel.}} = \frac{\text{density of material}}{\text{density of water}} = \frac{\text{Mass of a certain volume of a material}}{\text{Mass of the same volume of water}}$$

3) **Pressure:**

$$P = \frac{F}{A} = \frac{m g}{A} \text{ (N/m}^2 \text{ or kg/m} \cdot \text{s}^2 \text{)}$$

4) **Pressure at a point inside a liquid:**

- In closed container

$$P = \rho g h$$

- In opened container

$$P = P_a + \rho g h$$

5) **U – shaped tube:**

When the two liquids are at equilibrium

At the separating surface

$$\rho_1 h_1 = \rho_2 h_2$$

Subject: italiano
Answers

| Question No | Symbol | Answer |
|-------------|--------|-------------------------------------|
| 1. | A | della festa di compleanno di Giulia |
| 2. | B | Giulia e i suoi genitori |
| 3. | C | un solo regalo |
| 4. | A | suo padre ha rifiutato |
| 5. | D | indico la data |
| 6. | A | Ho due fratelli |
| 7. | C | ancora |
| 8. | D | nel |
| 9. | A | siete potuti |
| 10. | B | suo |

Subject: PHYSICS

| Question No | Symbol | Answer |
|-------------|--------|-----------------------------------------------|
| 11. | D | Zero |
| 12. | B | 0.075 |
| 13. | C | F |
| 14. | C | $\rho_A < \rho_B$, and (A) is exposed to air |
| 15. | C | $\rho_2 > \rho_1 > \rho_3$ |
| 16. | A | CUBE OF 2 CM |
| 17. | B | 21.43 cm |
| 18. | A | 4 |
| 19. | A | 3 30° |
| 20. | A | V_{ol} 1 |